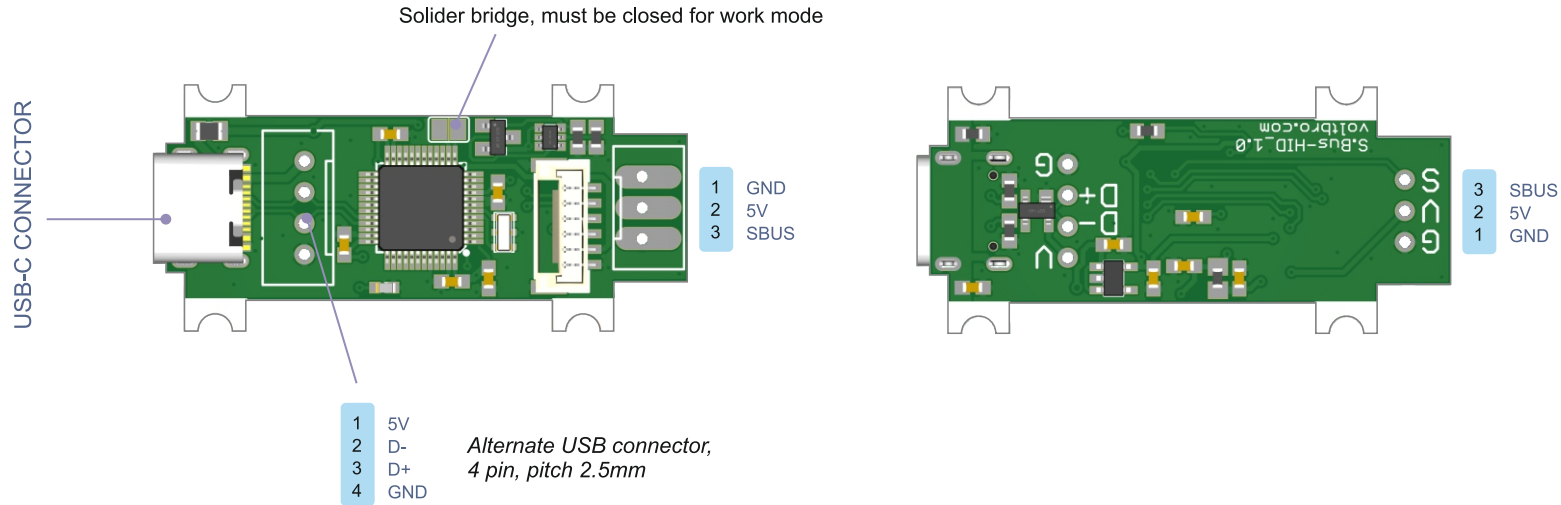


VBCore SBUS to USB HID converter v1.0



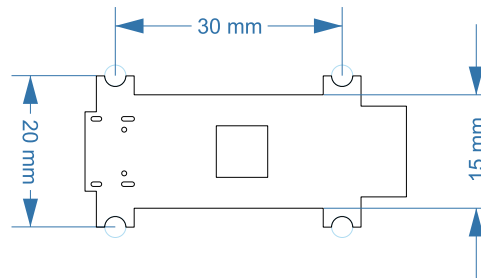
VBCore SBUS-USB HID

VIN: 5V (USB)
 Connector: USB-C
 MCU: STM32F103
 Dimensions: 44x15mm (min)
 Mount holes: 30x20mm D2.5 mm

VBCores

www.vbcores.com
 Electronics for robotics
 research and development

Dimensions (1:1)



JST GH1.25 connector

